

## 2.1 Mega Pixel Full HD-SDI Camera

IR Dome camera series

**KTD-155HVF**



### Visual Performance

#### Ultra resolution (Full HD)



Conventional

Full HD

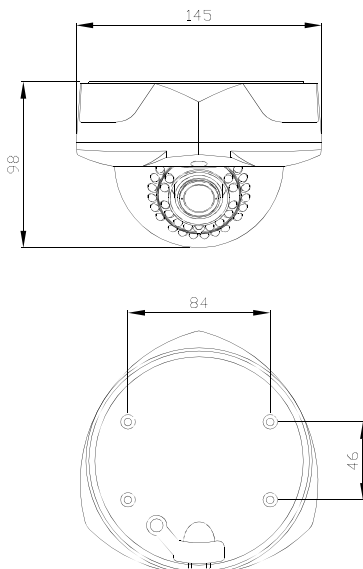
We provide you Full HD-SDI for color and black. User can expect extremely clear and excellent visual image quality.

#### LED Performance / IR Distance

Max 15m (30ea IR LED) 0m



### Dimensions (Unit : mm)



### Features

- 2.1Mega-Pixel 1/3" Panasonic CMOS sensor
- High performance Vandal proof IR Dome camera
- Full HD resolution 1920X1080p/30fps
- 30 unit IR LED
- f2.8-11mm Mega pixel Vari-focal lens
- True Day & Night with ICR mechanism
- 2<sup>nd</sup> Video Out / Built in joystick for OSD control
- D-WDR, SENS-UP, 3D DNR, SMART IR function

### Specification

Model	KTD-155HVF
Image Device	1/3" Panasonic CMOS
Scanning System	Progressive Scan
Total Pixels	2010(H) x 1108(V)
Effective pixel	1944(H) x 1092(V)
Min. Illumination	0 Lux (IR LED On) / 0.1 Lux@F1.2 / 30IRE
Electronic Shutter	60Hz: 1/30~1/30,000sec, 50Hz: 1/25~1/30,000sec
Digital Resolution	1920x1080p (1080p/25,30fps)
Video Output	HD-SDI / CVBS (NTSC, PAL)
SDI FORMAT	1080P
Lens	f2.8~11mm Mega pixel vari-focal lens
Day & Night	True Day & Night with ICR filter mechanism
On Screen Display	Built in joystick controller
Language	ENG/JPN/CHN1/CHN2
Brightness	0~100
AGC	0~16
Shutter Mode	AUTO/MANUAL
Shutter Speed	1/30(25), 60(50), FLK, 250, 500, 1K, 2K, 5K, 10K, 50K
Sense-Up	OFF/x2/x3/x4/x6/x8/x10/x15/x20/x30/x60
White Balance	ATW/AWC/INDOOR/OUTDOOR/MANUAL
D-WDR	High/Middle/Low/Off
Back Light	HSBLC/BLC/OFF
3D DNR	ON/OFF
Smart IR	ON/OFF, LEVEL : 0~100
D-EFFECT	ON(Freeze/Mirror/D-Zoom/NEG. Image)/OFF
Motion	ON(Select/Display/Sensitivity/Motion view/Default)/OFF
Privacy	ON(Select/Display/Color/Default)/OFF
Operation Temperature	-10°C~+50°C
Power Consumption	DC12V, 500mA
Dimension	Ø135x98(H)mm
Weight	Approx. 0.8 kg